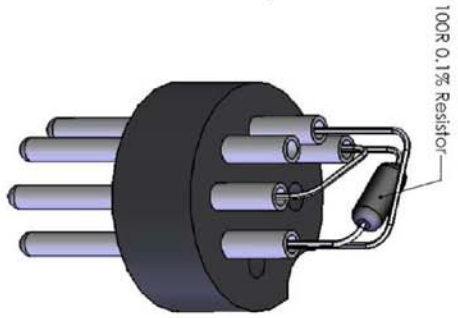


## Jandel RM3 Test Din Plug - ASSYRM3TP

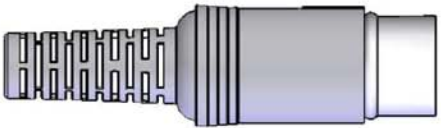
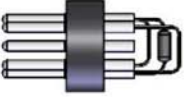
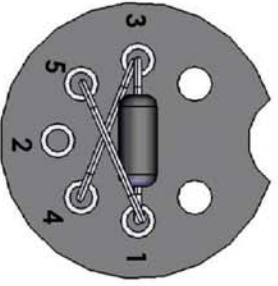
PART NUMBER	PART NUMBER	DESCRIPTION	QTY.
106400006	FEC 309 102	5 Way Din Plug	1
104311101	FEC 338 217	100R 0.1% Resistor	1
190000001	Rapid 338 217	Linking Wires	2



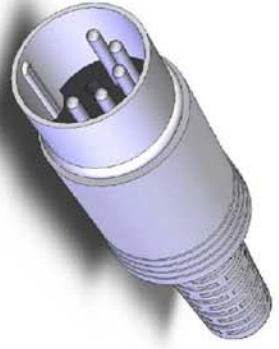
### 2 LINKS : 22 SWG Tin Copper

(Ensure that the links do NOT short circuit!)

- Resistor positioned in connector 3 and 1
- Make link between connector 3 and 4
- Make link between connector 1 and 5



**Note:**  
This assembled Din Plug is to be tested and supplied with every RM3.



REV	DATE	BY	DESCRIPTION
1			ASSYRM3TP
2			ASSYRM3TP

PAGE 22

PROJECT:	ASSYRM3TP	COMPANY:	JANDEL
CONTRACT:		PROD TITLE:	Jandel RM3 Test Din Plug
CONTRACT NO:		ISSUE NO:	JL27010602
REVISED BY:		REVISED DATE:	ASSYRM3ARTP